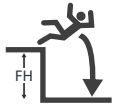




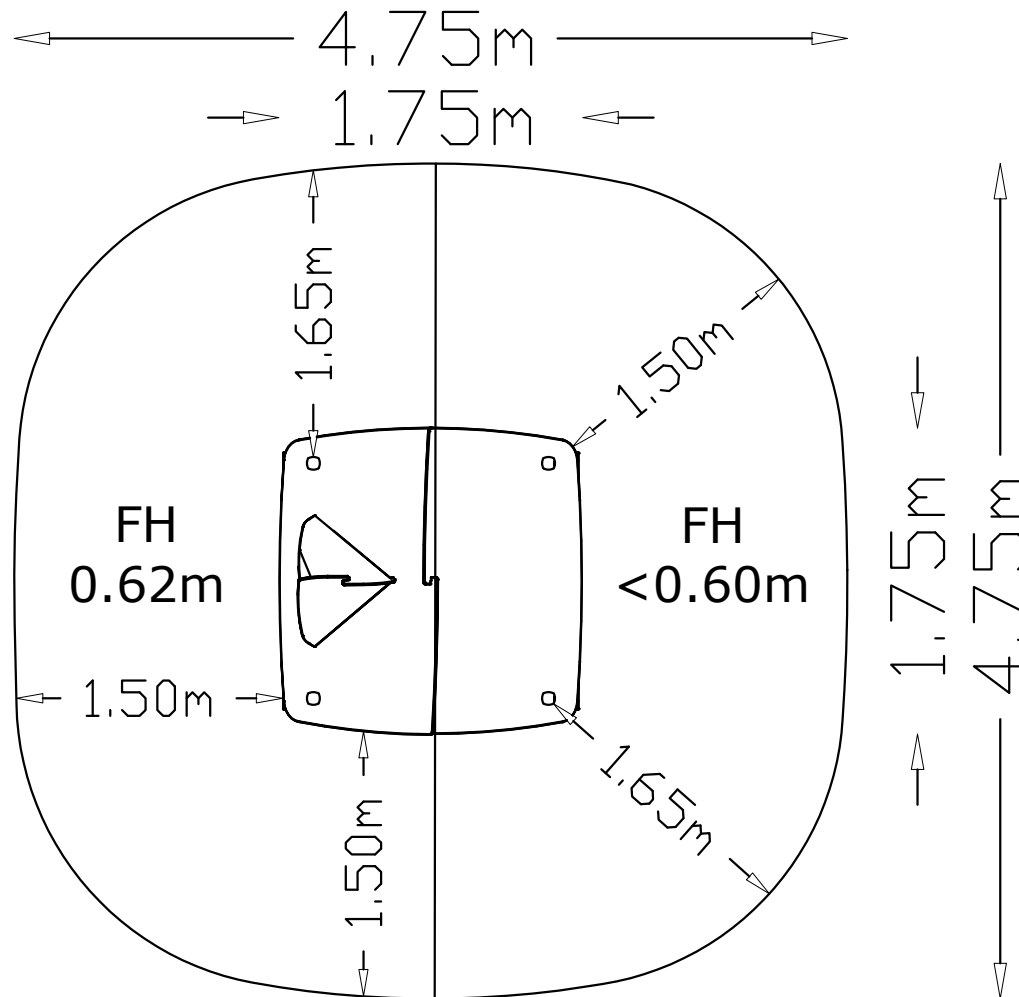
S6

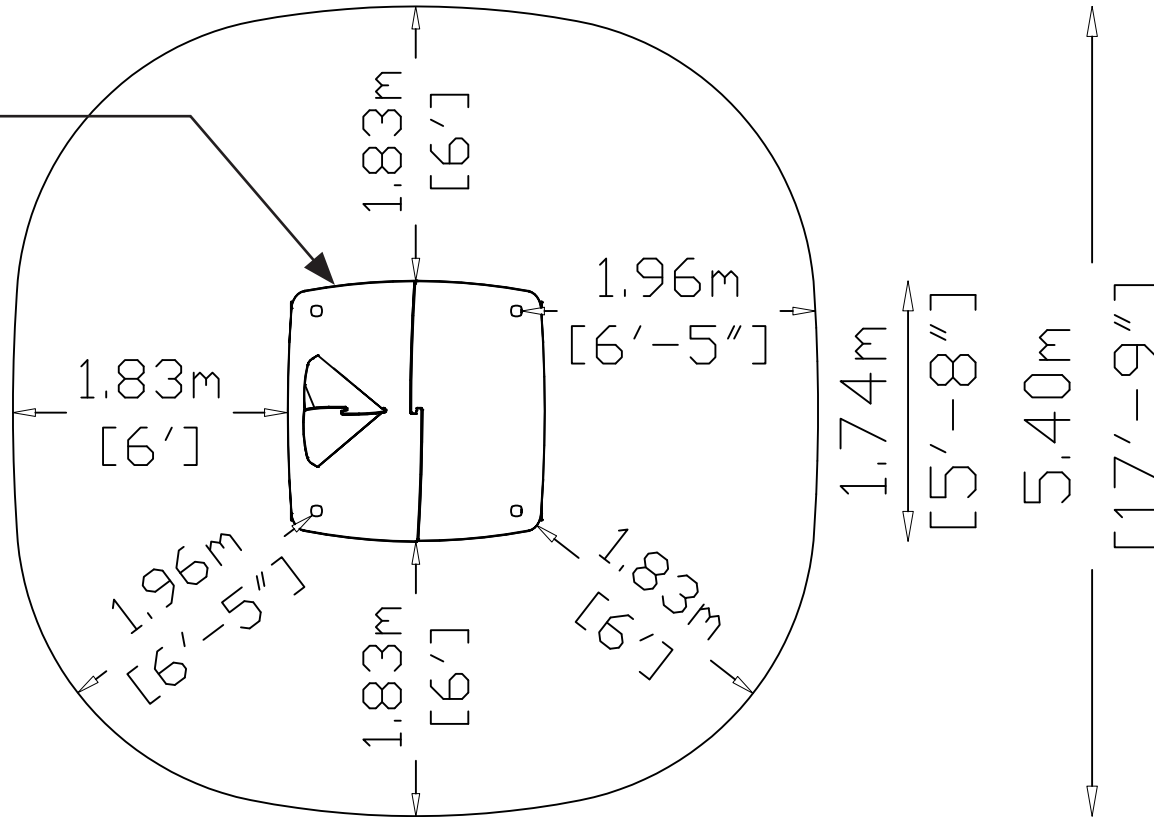
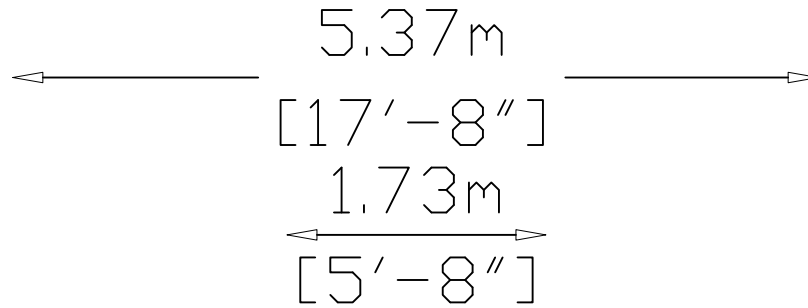
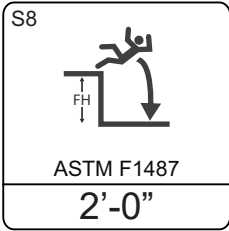


EN1176

0.62m

# EN1176





# ASTM F1487



**! INSTALL 101**

<p><b>WARNING</b> Playground equipment should not have surfaces that are excessively slippery or polished and they should not be made of metal. See also the risk profile with respect to insect nests before allowing children to play.</p> <p><b>WARNING</b> Children are required to use only one surface caught on slides and other playground equipment. Before allowing children to play, remove barriers, screens, rockers, host seats, rock drawings, and other accessories through the screen. Also, remove any foreign matter, sharp or hard items that may be in or on the equipment.</p> <p><b>WARNING</b> All playground equipment and rubber surfacing that remains for use should be inspected. Check for hot surfaces before allowing children to play. Children should wear appropriate shoes at all times.</p> <p><b>WARNING</b> Playing high involves an inherent playground equipment can lead to serious injury from falls, collisions, and head strikes. Do not use equipment for other playground activities. The situation while playing and be aware of.</p>	<p><b>! play smart! rules</b></p> <p>Do not play on broken or damaged equipment. Report it.</p> <p>Do not play without adequate safety clothing and footwear.</p> <p>Do not play on slides or equipment that is not safe for your age.</p> <p>Do not play on or run on playground equipment and be aware of other equipment.</p> <p>Do not play on or run on playground equipment and be aware of other equipment.</p> <p>Do not play on or run on playground equipment and be aware of other equipment.</p> <p>Do not play on or run on playground equipment and be aware of other equipment.</p> <p>Do not play on or run on playground equipment and be aware of other equipment.</p> <p>Do not play on or run on playground equipment and be aware of other equipment.</p>
---	--

S9

CSA Z 614  
0.97m  
[3'-2"]

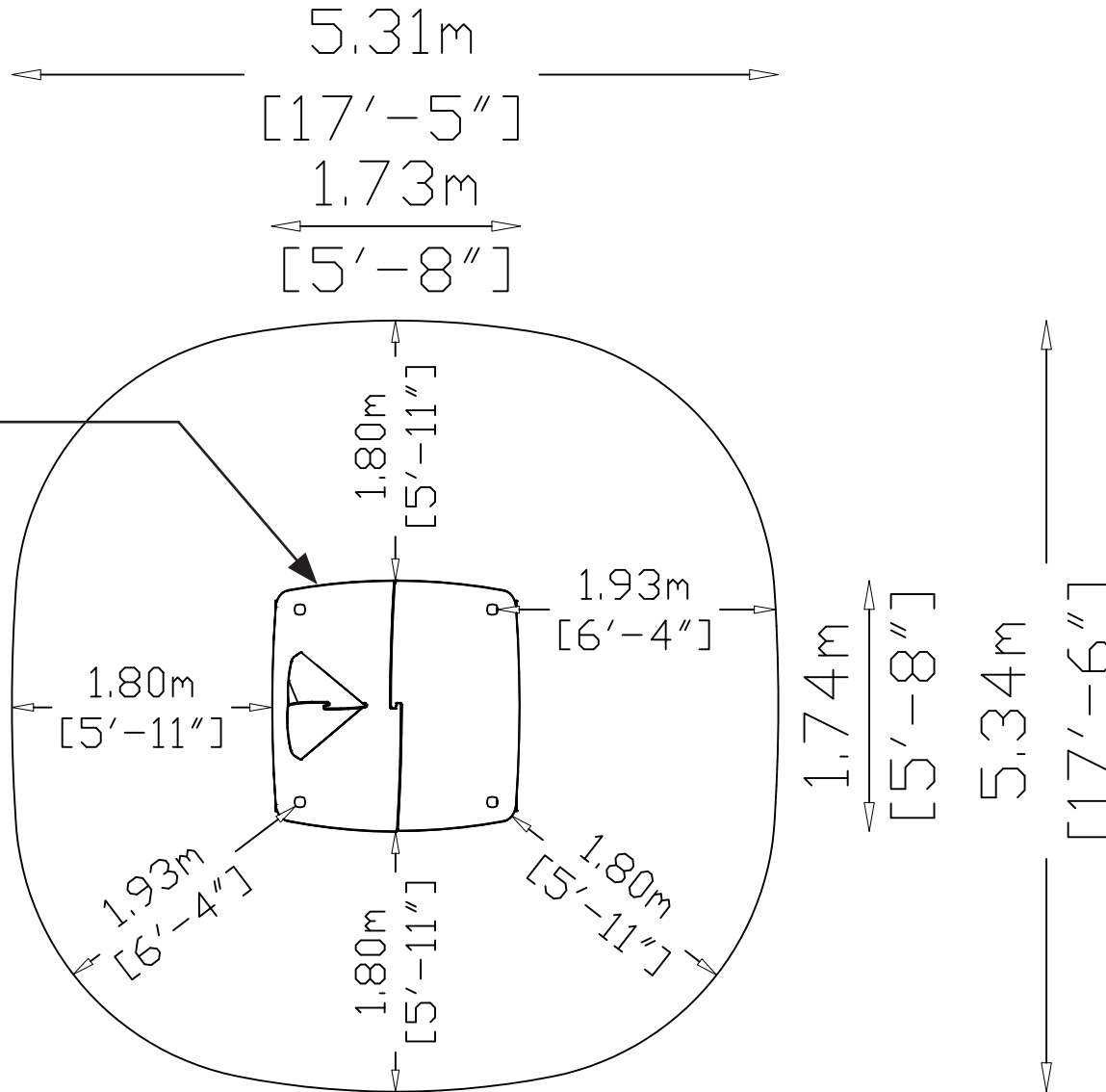
INSTALL  
101

HAGS®

FOR KIDS AGES  
**18-5**  
MONTHS YEARS

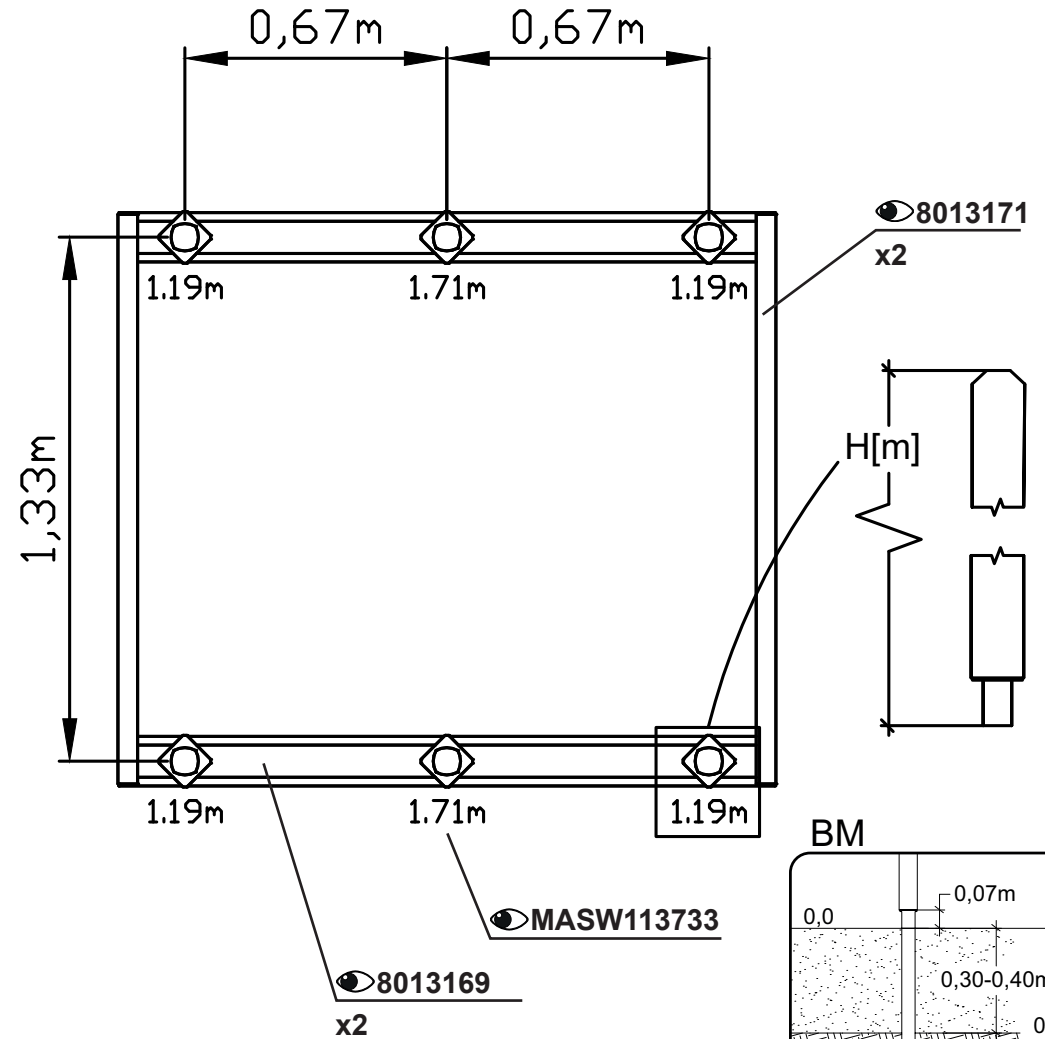
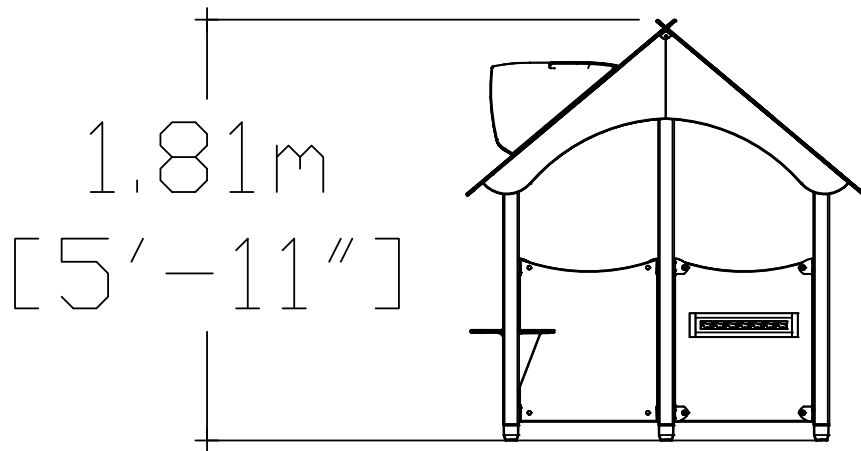
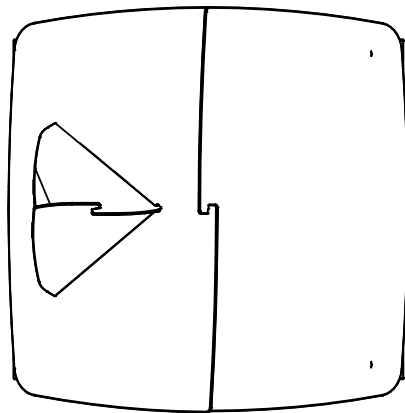
ADULT SUPERVISION RECOMMENDED  
www.hags.com

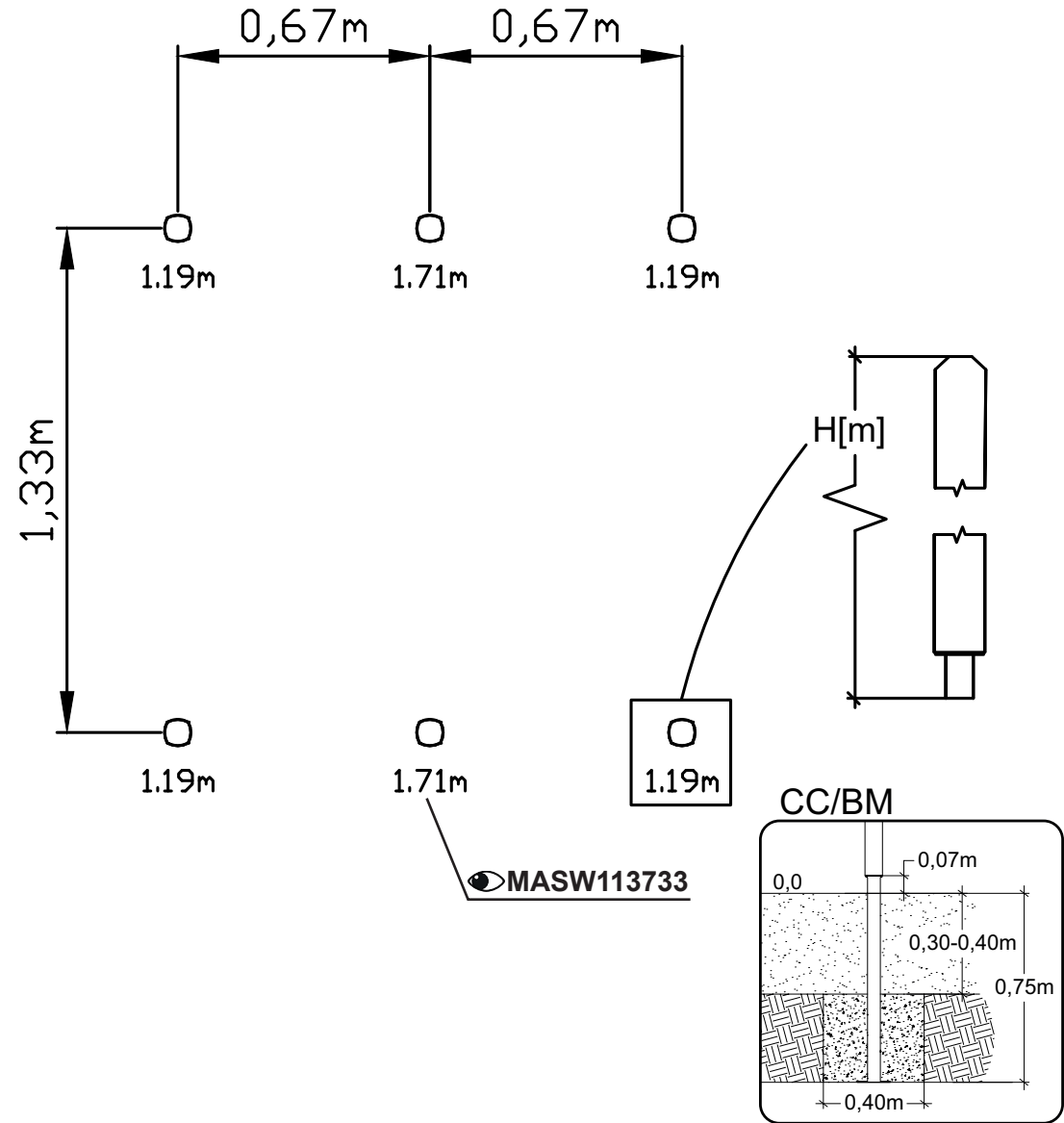
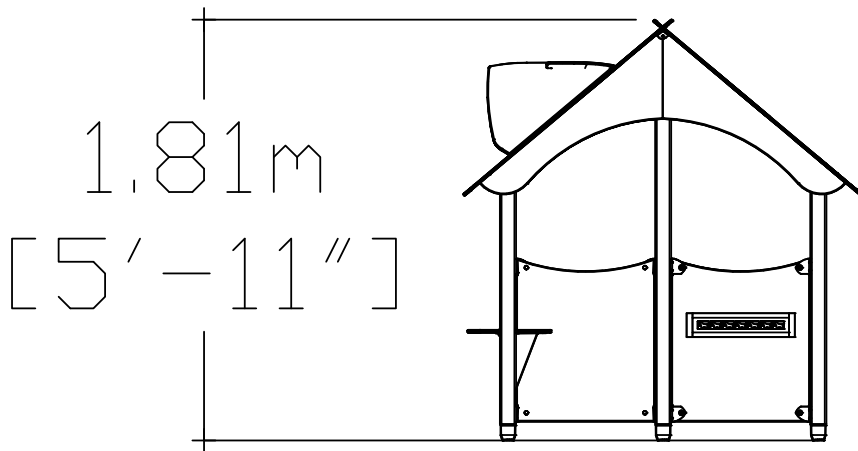
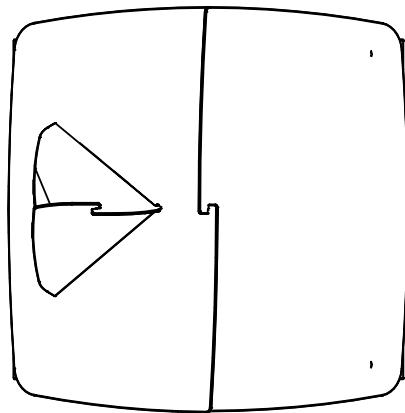
# CSA Z614

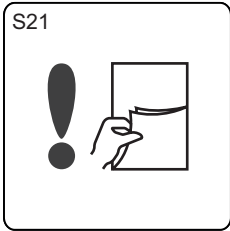


INSTALL  
101

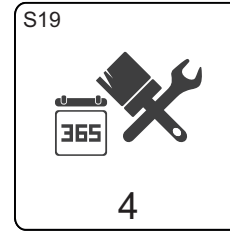
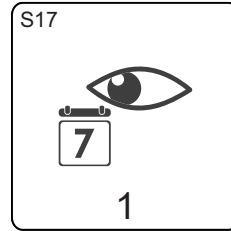
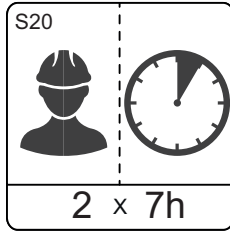
<p><b>WARNING</b></p> <p>Playground equipment should not be used as a structure, scaffold or platform. Adults must always supervise play or adult supervision is required for play with equipment. It is essential to inspect before allowing children to play.</p>	<p><b>WARNING</b></p> <p>Children are required to use only one surface caught on slides and other playground equipment. Before allowing children to play, remove debris, sticks, rocks, twigs, holes, and protrusions, and ensure that equipment is free of any sharp edges or points.</p>	<p><b>play smart! rules</b></p> <p>Do not play on broken or damaged equipment. Report it.</p> <p>Do not play without adequate safety supervision and adult supervision.</p> <p>The condition of the play surfaces and equipment should be inspected regularly.</p> <p>Do not play tag or run on playground equipment and the equipment off of equipment.</p> <p>Watch your head! Do not run, slide, swing, climb, or use other equipment.</p> <p>Do not play on swings or any equipment if the seats or on top of or over through bars are broken.</p> <p>Slide sitting down, feet first, and one at a time. Do not slide up slides or ladders.</p> <p>Adults - do not slide with a child on your lap. It can injure your child's legs.</p> <p>Before letting go of overhead bars, hand grips and hand your hands a little and slide straight down with both feet.</p> <p>Swing sitting down and do not jump when the playground equipment. The situation while playing and be careful!</p>
---	--	---



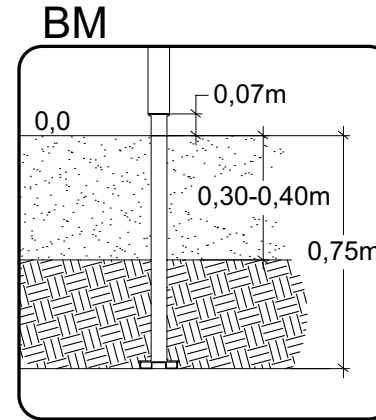




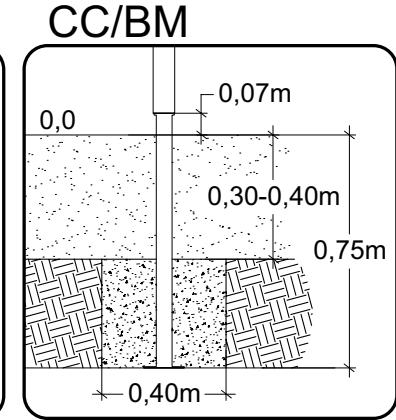
**Install 101**  
**6942**  
**6952**  
**260329**  
**695301**  
**6213 01**  
**6253 01**  
**6963 05H**  
**MASW113733**  
**MASW34616**  
**MASW39401**  
**MASW39402**  
**MASW44481**  
**MASW94859**



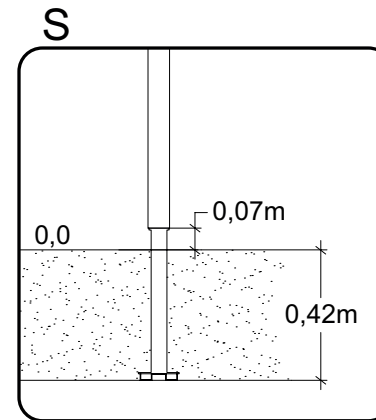
**MASW113733**



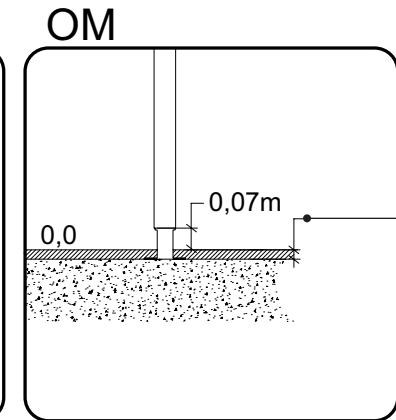
**BM**  
**Loosefill**  
 8112152



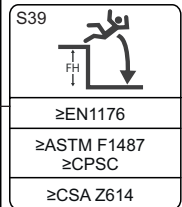
**CC/BM**  
**Cast Loosefill**  
 8112152

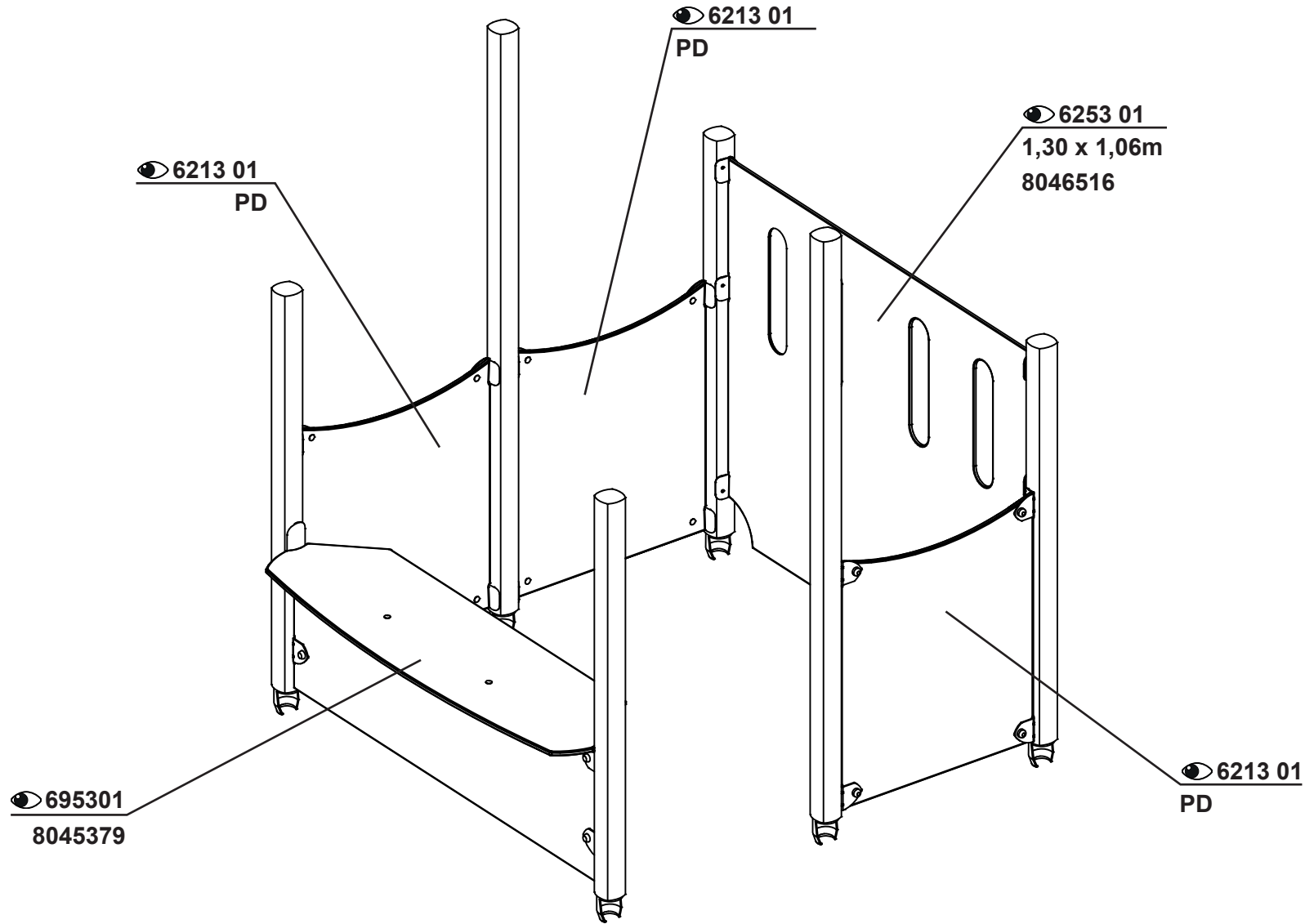
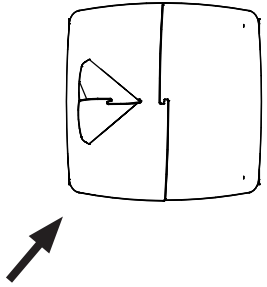


**S**  
**Sunken Foundation**

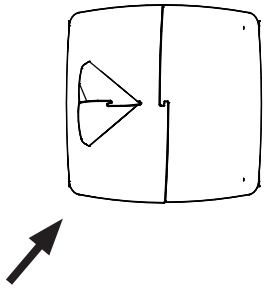


**OM**  
**Above Ground**



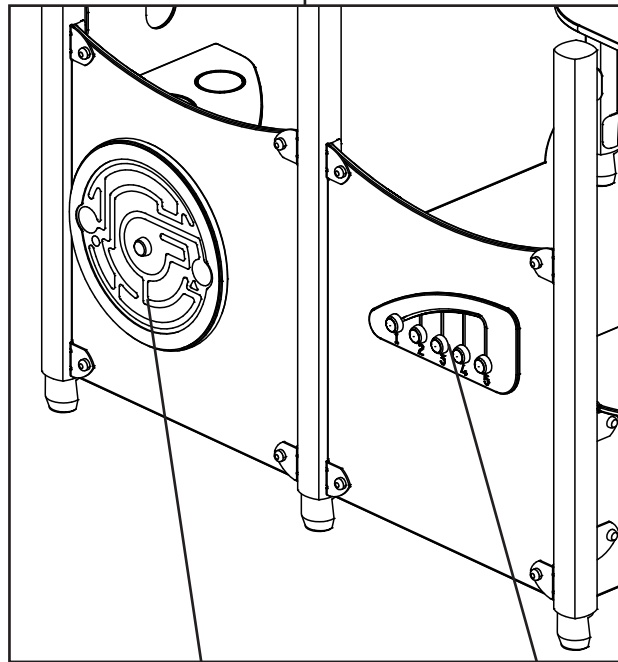






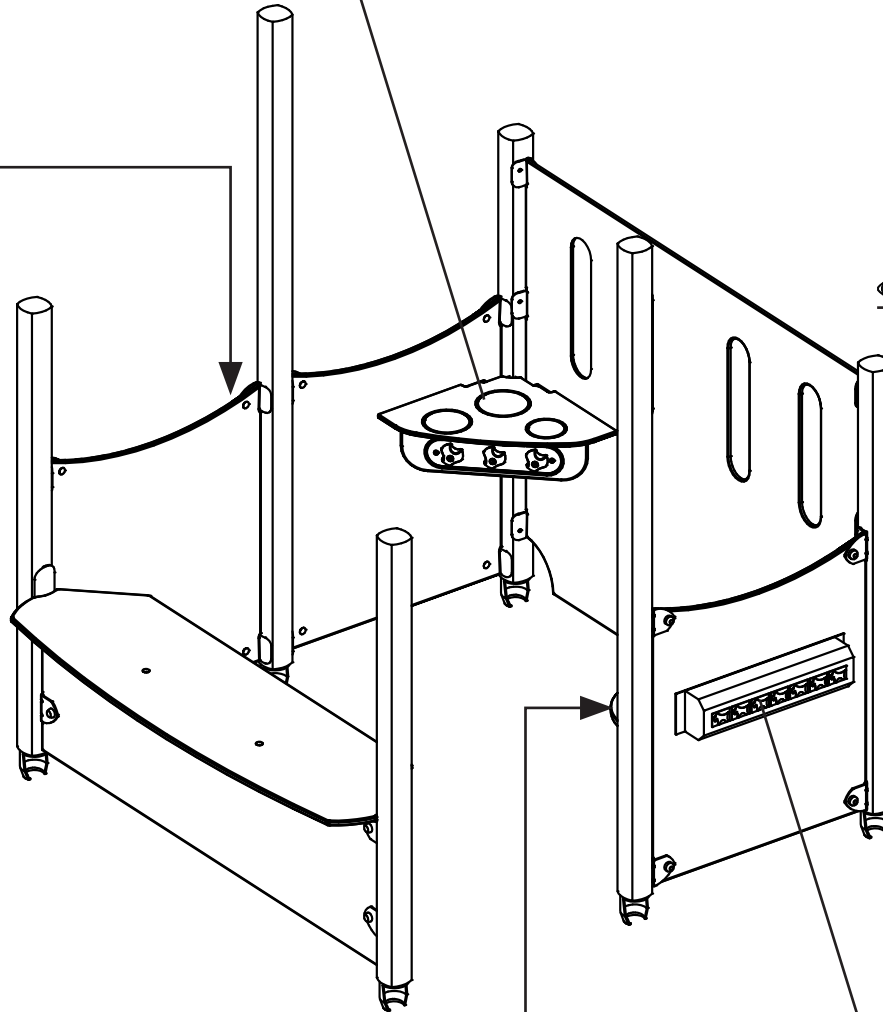
● MASW44481

● 6963 05H

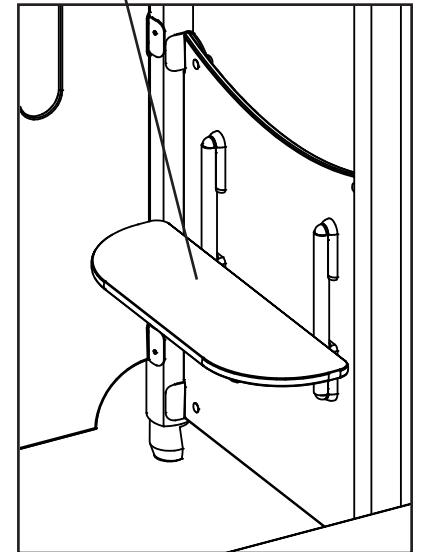


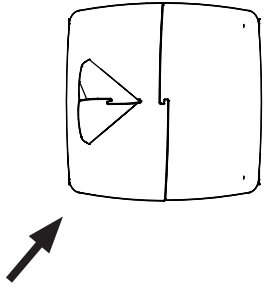
● MASW94859

● 6952



● 6942





● MASW34616

● MASW39402

● MASW39401

